

ECARTONIE

PROFESSIONAL CAMERA SUPPORT

MASTER 25 ✓

USER'S MANUAL & Maintenance





CERTIFICATO N. 19714/09/S
CERTIFICATE No.

SI CERTIFICA CHE IL SISTEMA DI GESTIONE PER LA QUALITÀ DI
IT IS HEREBY CERTIFIED THAT THE QUALITY MANAGEMENT SYSTEM OF

CARTONI S.P.A.

VIA DI PORTONACCIO, 33/B 00159 ROMA (RM) ITALIA

NELLE SEGUENTI UNITÀ OPERATIVE / IN THE FOLLOWING OPERATIONAL UNITS

VIA DI PORTONACCIO, 33/B 00159 ROMA (RM) ITALIA

È CONFORME ALLA NORMA / IS IN COMPLIANCE WITH THE STANDARD
ISO 9001:2015

PER I SEGUENTI CAMPI DI ATTIVITÀ / FOR THE FOLLOWING FIELD(S) OF ACTIVITIES

IAF-17
IAF-29

PROGETTAZIONE, FABBRICAZIONE ED ASSISTENZA POST-VENDITA DI PRODOTTI PER LA CINEMATOGRAFIA E LA TELEVISIONE PROFESSIONALE. COMMERCIALIZZAZIONE DI PRODOTTI ED ACCESSORI IN CONCESSIONE PER LA CINEMATOGRAFIA E LA TELEVISIONE PROFESSIONALE

DESIGN, MANUFACTURE AND POST-SALE ASSISTANCE OF PROFESSIONAL BROADCAST AND FILM EQUIPMENT. MARKETING OF PROFESSIONAL BROADCAST AND FILM ACCESSORIES AND PRODUCTS AS LOCAL AGENCY REPRESENTATIVE

La validità del presente certificato è subordinata a sorveglianza periodica annuale / semestrale ed al riesame completo del sistema di gestione con periodicità biennale

The validity of this certificate is dependent on an annual / six monthly audit and on a complete review, every three years, of the management system

L'uso e la validità del presente certificato sono soggetti al rispetto del documento RINA: Regolamento per la Certificazione di Sistemi di Gestione per la Qualità

The use and validity of this certificate are subject to compliance with the RINA document: Rules for the certification of Quality Management Systems

Prima emissione First Issue	12.06.2009	Data decisione di rinnovo Renewal decision date	24.05.2018
Data scadenza Expiry Date	02.06.2021	Data revisione Revision date	24.05.2018

Amlicare Rini
Rome Management System
Certification, Head

RINA Services S.p.A.
Via Corsica 12 - 16128 Genova Italy



SGQ N° 002 A

Members degli Accordi di Mutua
Riconoscimento DA, IAF e ILAC
Signatories of DA, IAF and ILAC
Mutual Recognition Agreements



www.cisq.com

CISQ è la Federazione Italiana di Organismi di
Certificazione dei sistemi di gestione aziendale
CISQ is the Italian Federation of
management system Certification Bodies

1.	SAFETY & SET-UP INTRODUCTION	4
2.	OPERATING ELEMENTS	6
3.	PROCEDURES	8
4.	SPECIFICATIONS	10
5.	MAINTENANCE	10
6.	WARRANTY	11
7.	ACCESSORIES & PRODUCT LINE	12

1. SAFETY & SET-UP INTRODUCTION

The new **MASTER 25** is a robust, yet lightweight Fluid Head. Designed to support the latest cameras complete with long lens, viewfinders, prompters and pan bar controls for new studio production as well as OB/ENG/EFP applications, with a payload capacity of up to 30 kg (66 lbs).

The **MASTER 25**, weighs only 4.4 kg (9.7 lbs) thanks to the extensive use of extremely lightweight magnesium alloys, features a tilt range of +/-90° and easy to use rings which allow the camera operator or grip to preselect the continuously adjustable fluid drag and counterbalance on a numerical scale from 0 to 10.

Both the pan and tilt brake levers are easy to reach, also the Head features a convenient horizontal lock for setup and a switchable illuminated spirit level completes the operating specs.

With a 150 mm bowl, it offers a wide and stable base on tripods or hi-hats. The Head base includes 4 bolt threads for direct interface to most of the Pedestals.

Additionally, the Camera platform is equipped with a sliding Camera plate, compatible with competitor gear as the Vinten Vision 250, with standard 11 cm plate or 22 cm extra-long plate for balancing off-set Camera configurations.

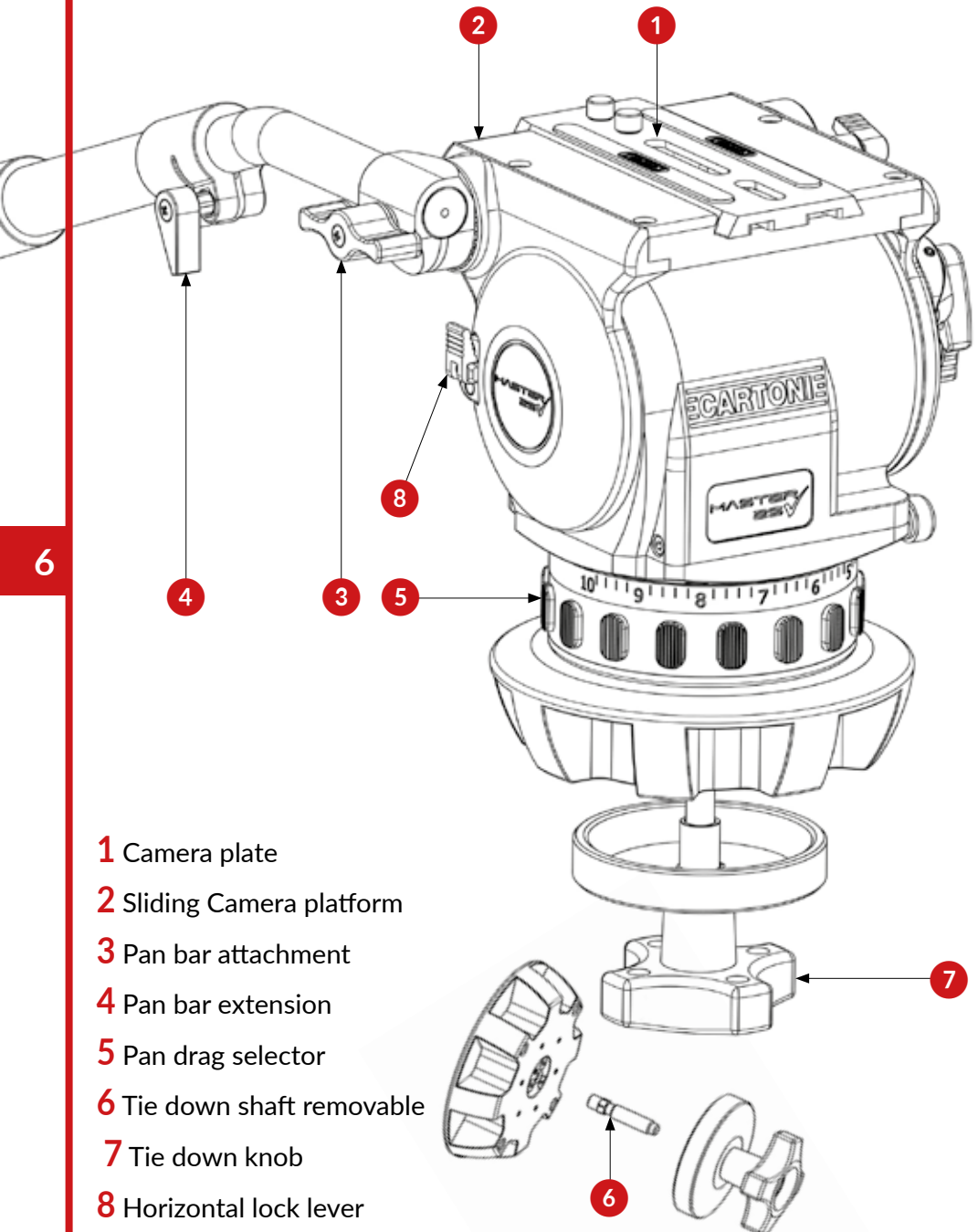
The **MASTER 25** is the ultimate premium Head, with a combination of perfect patented balance and a super-smooth, continuously variable patented fluid drag on pan and tilt modes, perfectly suited for the camera operators needs.

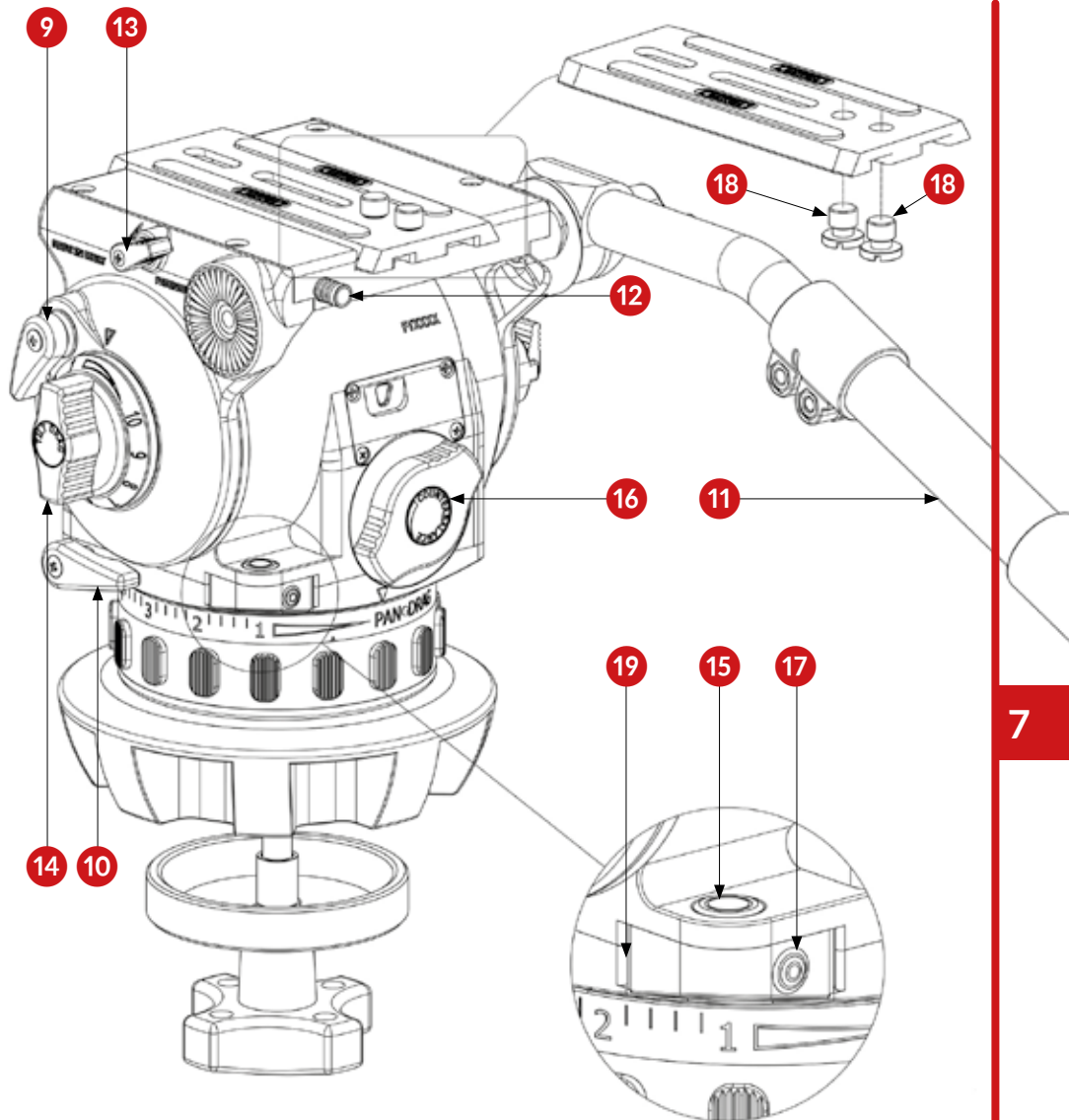
That means the Head can precisely track slow moving objects and whip pan in an instant.

- ✓ Before using the product read this user manual.
- ✓ Before installing the Fluid Head on the Tripod check the Tripod stability.
- ✓ Verify that the Camera payload (including lenses and accessories) is lower than the maximum capacity of the Fluid Head.
- ✓ Before installing the Camera make sure that the Fluid Head is in good conditions and bares no evident damages.



2. OPERATING ELEMENTS





9 Tilt brake lever

10 Pan brake lever

11 Pan Bar

12 Slide lock release button

13 Sliding platform lock

14 Tilt drag selector

15 Illuminated spirit level

16 Counterbalance selector

17 Level Bubble Light button

18 Clamping screws

19 Battery tray

3. PROCEDURES

- ✓ Place the **MASTER 25** on your Tripod by loosening the tie-down knob (7) under the Fluid Head and level using the level bubble (15). In low light conditions, press button (17) for light.
- ✓ Connect the Pan bar (11) to the Fluid Head tightening the lever (3) on the Pan bar attachment and select your desired operating angle. The telescopic Pan bar length can be adjusted via lever (4).
- ✓ Lock both Pan and Tilt brakes (9 & 10), turn both Tilt drag selector (14) and Counterbalance knob (16) to the minimum.
- ✓ Hold the platform (2) in horizontal position and place the horizontal lock lever (8) on the red dot for setup the camera.
- ✓ Unlock the lever (13) and move the camera plate (1) from the platform (2) by sliding the plate to the back.
- ✓ Press the Release button (12) in order to release the Camera plate (1).
- ✓ Remove the Camera plate (1) by sliding it from the Camera platform (2).
- ✓ Attach the Camera plate (1) to the bottom of the Camera and tighten the Clamping screws (18) to secure the Camera. Try to center the Camera plate on the Camera, keeping the center of gravity position in mind.
- ✓ Place the Camera by sliding the plate (1) forward on the platform (2) until the lock button (12) clicks and when the camera is centered, lock the lever (13).

- ✓ Place the horizontal lock lever (8) on the green dot, hold the Camera in horizontal position with the Pan bar (11) and release the Tilt brake lever (9).
- ✓ Release the sliding platform lever (13) and find the correct center of gravity position, by sliding the Camera platform (2) back and forth until you have achieved the correct balance. Then lock the sliding platform lever (13).
- ✓ Set the Counterbalance system by turning the balance knob clockwise (16) to appropriate tension. The Camera has to stay at any tilt angle. Eventually fine-tune by adjusting the sliding plate.
- ✓ Unlock the Pan brake lever (10) and set the Fluid drag control by adjusting selectors (5 & 14).
- ✓ The **MASTER 25** can be attached to most of the sliders via a 3/8" treaded hole under the Head. The Head base also includes 4 bolt thread for direct interface to most of the Pedestals. Remove the Tie down shaft (6) with a 10mm wrench and find the relative fixing holes underneath.
- ✓ When spirit bubble light (15) fails it is time to replace the batteries. Pull out the battery tray (19) and replace n.1 x C1220-3V Battery.

4. SPECIFICATIONS

Minimum payload	3 Kg	6.6 lbs
Maximum payload	30 Kg	66.1 lbs
Weight	4,4 Kg	9.7 lbs
Bowl diameter	150mm/Flat	
Fluid Drag	Continuous	
Counterbalance	Continuous	
Pan range	360°	
Tilt range	+-90°	
Temperature range	-40 /+60 °C	-40 /+140 °F

5. MAINTENANCE

With indoor use - when needed - just clean the **MASTER 25** and Tripod with a soft cloth. Dirt accumulated during storage may be removed using a brush or Air spray.

CARTONI products main mechanisms are sealed as they are also built for professional outdoor use.

However, use under rough conditions will require special care. Salt water is very corrosive and can cause extreme damages. In attempt to avoid further damage the Fluid Head should be washed off with fresh water at the earliest opportunity and dried before storage.

Sand and dirt are abrasive and should be removed using a semi-stiff brush or Air spray.

Disconnect the illuminated spirit level battery during long term storage.

6. WARRANTY

All **CARTONI** Fluid Heads & Pedestals have a free of charge three (3) year warranty. Register your product at www.cartoni.com within 30 days from date of first purchase/invoice to receive further two (2) year warranty for the unsurpassed free five (5) year warranty.

Tripods, spreaders, dollies and all accessories are guaranteed one (1) year from the date of first purchase/invoice.

CARTONI warrant that the product supplied will - under proper use - be free from defects in workmanship and materials and agrees that it will, at its option, either repair or replace any defective part within duration of warranty from date of first purchase with no labour charge.

This warranty does not apply to any **CARTONI** product that has been damaged in shipping or handling, abused, misused, operated contrary to instructions for use, neglected, normal wear or tear, modified or changed in design or construction or serviced by unauthorized parties.

Repairs or misuse by any unauthorized parties will void this warranty.

Warranty claims must be submitted - in writing - to the factory for verification or to an authorized distributor/dealer designated by **CARTONI**.

It is the end user's responsibility when ordering to ensure that the products ordered conform to his requirements.

All freight of product to **CARTONI** must be prepaid. All implied warranties are limited to the time period set forth herein & subject to change without notice.

No liability can be accepted for any variation.

7. ACCESSORIES & PRODUCT LINE

For the complete Accessories list & Product line please visit **CARTONI's** official website **www.cartoni.com**.

Every product has an updated list of compatible items sorted by groups, with descriptions and technical data.



CARTONI S.p.A
Via di Portonaccio, 33/B - 00159 Rome (Italy)
Phone +39 06 4382002
Fax +39 06 43588293
Email: cartoni@cartoni.com
www.cartoni.com