
Specifications

Ratings

■ Recording media

microSD card (64 MB–2 GB)
microSDHC card (4 GB–32 GB)

■ Recording/playback formats

44.1/48kHz 16/24-bit, mono/poly BWF

Input/output ratings

■ Analog input

Mic jack

Connector

XLR JACK (female) (1: GND, 2: HOT, 3: COLD)

When MIC GAIN external input (EXT) selected (HOT pin unbalanced input)

Maximum input level: –8 dBu

Nominal input level: –24 dBu

When MIC GAIN mic input (LO/MID/HI) selected (balanced input)

Maximum input level: –31 dBu

Minimum input level: –63 dBu

Mic input gain

LO: +29 dB

MID: +35 dB

HI: +45 dB

Input impedance: 10 kΩ or more

■ Analog output

Headphones jack

Connector: 1/8" (3.5mm) stereo phone (dual mono audio output)

Audio performance

■ IN → PHONES (input monitoring output, 10kΩ load)

When MIC GAIN external input (EXT) selected (HOT pin unbalanced input)

Frequency response: 20 Hz – 22 kHz +1/–2 dB

Distortion: 0.05% (1kHz sine wave, at maximum input level)

S/N ratio: 92 dB or higher (PHONES volume max)

When MIC GAIN mic input (LO/MID/HI) selected (balanced input)

Frequency response: 20 Hz – 22 kHz +1/–2 dB

Distortion: 0.05% (1kHz sine wave, at maximum input level)

S/N ratio: 80 dB or higher (PHONES volume max, LO selected)

General

■ Power

1 AAA battery (alkaline, NiMH or lithium)

USB bus power from a computer

■ Power consumption

0.65 W (maximum)

■ Current consumption (USB bus power)

0.25A(maximum)

■ Battery operation time (continuous operation)

Using an alkaline battery (EVOLTA)

	Format	Operation time	Note
Recording	48kHz/24-bit WAV	About 10.0 hours	Headphones not connected Limiter: off Dual recording: off File type: mono

Recording: JEITA recording time

Using NiMH battery (eneloop)

	Format	Operation time	Note
Recording	48kHz/24-bit WAV	About 8.0 hours	Headphones not connected Limiter: off Dual recording: off File type: mono

Recording: JEITA recording time

Using lithium battery (Energizer ULTIMATE LITHIUM)

	Format	Operation time	Note
Recording	48kHz/24-bit WAV	About 15.5 hours	Headphones not connected Limiter: off Dual recording: off File type: mono

Recording: JEITA recording time

■ Date and time data retention

Secondary lithium battery x1 (built-in)

■ Dimensions

52 x 94.4 x 28 mm (width x height x depth, excluding protrusions)

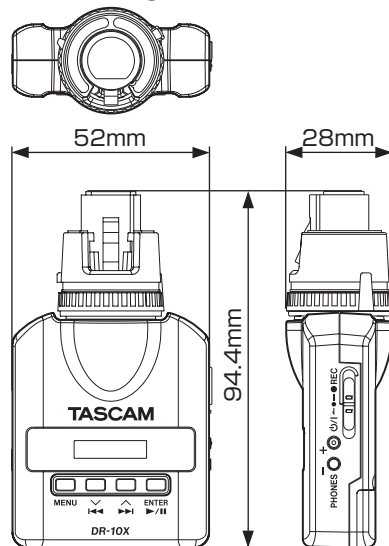
■ Weight

68.3 g (including batteries)/56.3 g (not including batteries)

■ Operating temperature range

0°C–40°C (32°F–104°F)

Dimensional drawings



- Illustrations in this manual might differ in part from the actual product.
- Specifications and external appearance might be changed without notification to improve the product.