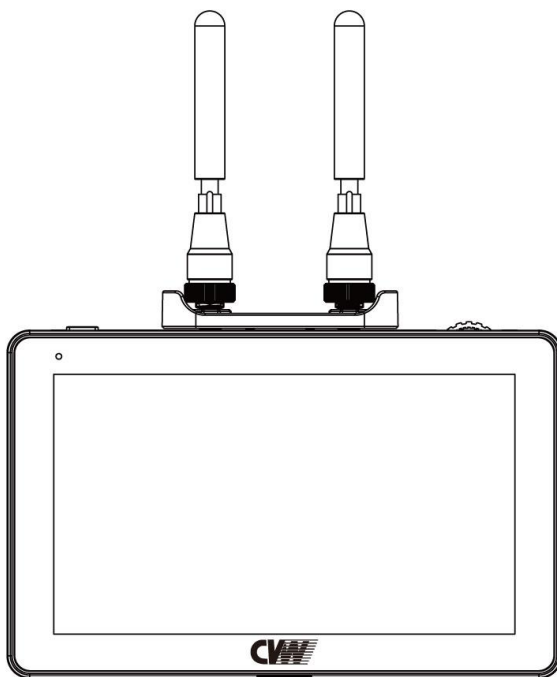


# **CW** SWIFT Z

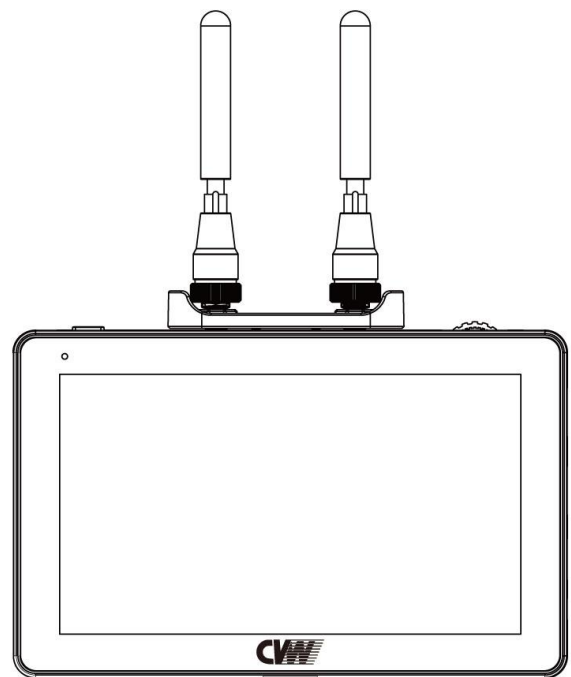
---

## **5.5" Wireless Monitor**

HDMI/3D LUT/HDR



TX: 7109



RX: 3109

# **User Manual**

## **Product Overview**

Thank you for purchasing our wireless video monitor. The product is a set of touch-screen monitors with a built-in wireless receiver and a built-in wireless transmitter, respectively. The highest resolution of wireless transmission is 1080P/60Hz, using 2\*2dBi antenna technology and H.264 encoding and decoding technology for professional image processing, clearer image and lower delay.

Full HD color LCD monitor, which adopts advanced integrated digital signal processing circuits and professional IPS LED panel, which makes it high brightness, low power consumption, stable performance, etc. This monitor has HDMI input and output, auxiliary power output, touch screen menu operation, support user 3D LUT upload and HDR etc. It has small size, simple operation, portable convenience and wide application range. Advanced features include Parade, Vector, Histogram, Audio Meter, Focus Assist, False Color, Zebra Exposure, Pixel to Pixel, Center Marker, Safety Marker, Marker Mat, Monochrome, Image Freeze, Zoom, Anamorphic etc. The integration of image transmission and monitoring bringing you more professional and convenient enjoyment.

The monitor is equipped with dual battery plates; you can use the power adapter supply or use the external battery for power supply.



**To insure the best use of the unit, please read the user's manual carefully**

## CAUTION

- This product should not be exposed dripping or splashing.
- Please place the wireless monitor on a flat with hard and stable surface.
- In order to reduce the risk of electric shock or fire, please do not expose the receiver/ transmitter to rain or moisture.
- Please avoid the heavy impact and drop onto the ground when move the product.
- The screen of this product is made of glass. Please do not drop the screen towards the ground. Keep away from injury if the screen is broken.
- Keep the product away from the heat source, and avoid the prolonged exposures to the sun as the LCD screen will be damaged.
- To avoid damaging the product, please do not take apart or repair the unit by yourself without the adjustable components in the unit.
- In order to better maintain the LCD screen and protect the cover, please follow the following ways to avoid damages.
  1. Please refrain from using the hard objects to hit the screen.
  2. Please do not force to wipe the screen.
  3. Please do not use the chemical solutions to clean the screen.
  4. Please do not spray any detergent on the screen.
  5. Please do not write on the screen directly.
  6. Please do not stick on the screen.
  7. Please simply wipe with a clean soft cloth and make sure no water on the screen.

## Special Notice

- The impact of radio waves (such as the following environment may cause the abnormal audio and video (blocked image, noise...etc.).
  - 1) Transmit near the wall which is hard for the radio waves to get through.
  - 2) Quite close to the refrigerator, metal fitment and appliances, or net to the crowded situation.
- This product has been tested and manufactured to comply with national electrical safety rules, however, there will be noise caused by the interference with other machines in rare cases. If the interference is happened, please keep a certain distance away from other machines.
- The product is susceptible to interference from 5GHz wireless local area network or other wireless devices.
- Optimal range between transmitter and receiver is between 1 meter and 30 meters with in line of sight indoor.
- It will take 30-40 seconds to boot the system before wireless communication start, the media receiver can not be operated during this time.

## Features

- Up to 250m/800ft transmission range (LOS)
- Ultra-low delay: 70ms
- Up to 1080P60Hz
- Support multiple channels selection
- Support frequency modulation on either the wireless monitor TX or RX.

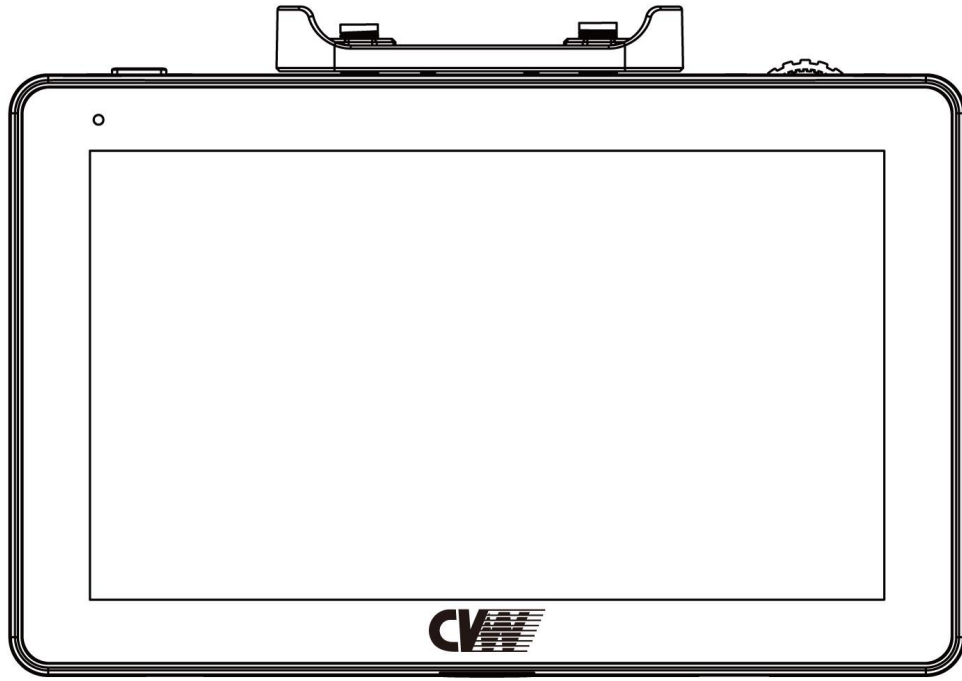
- Both the transmitter (TX) and receiver (RX) support HDMI IN and HDMI OUT interface (same screen display).
- Support the opening and closing function of the wireless transmission module, which can be used as a monitor alone or as an integrated wireless monitor.
- 5.5 inches 1920x1080 full HD IPS screen, touch screen menu operation
- Support 3D LUT Log to REC.709 and user 3D LUT upload
- Support HDR monitoring
- All Waves display, Parada, Vector, Histogram, Focus assist, False color and other functions, help you accurately expose and focus
- DC 8V power out to power your DSLR camera or mirrorless camera
- External sunshade, sunlight readable

# CONTENTS

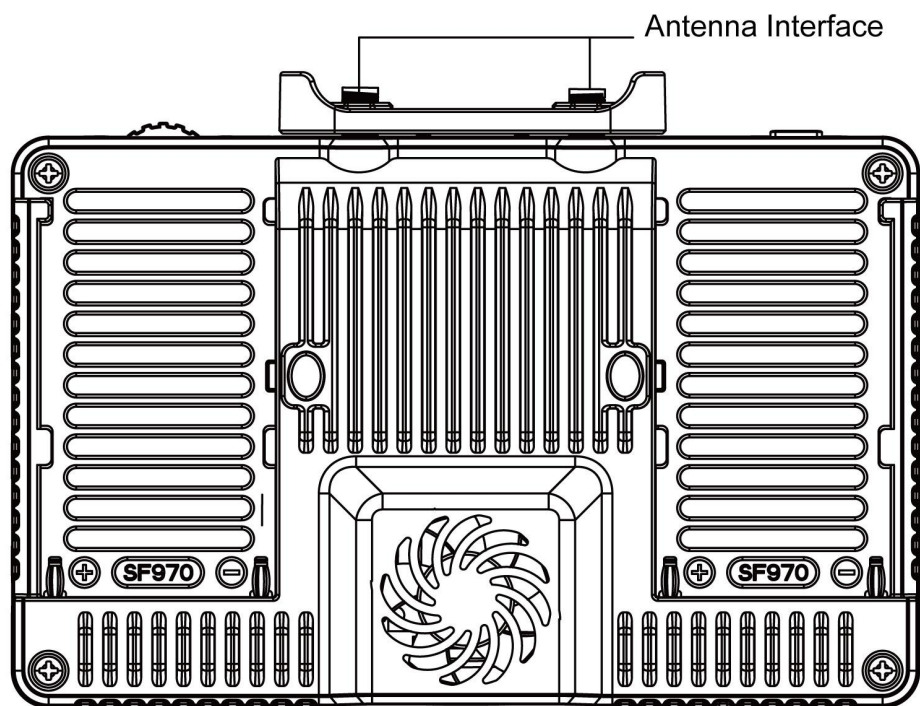
<b>1. Product Description</b>	<b>6</b>
1.1 Button Instruction	7
1.2 Port Instruction (bottom)	7
1.3 Port Instruction (right)	8
1.4 Power Supply Way	9
1.5 Mount Points	9
1.6 Sunshade	10
<b>2. Menu Operation Instruction</b>	<b>11</b>
<b>3. Menu Function Instruction</b>	<b>14</b>
<b>4. Technical Parameters</b>	<b>18</b>
<b>5. Trouble Shooting</b>	<b>20</b>

# 1. Product Description

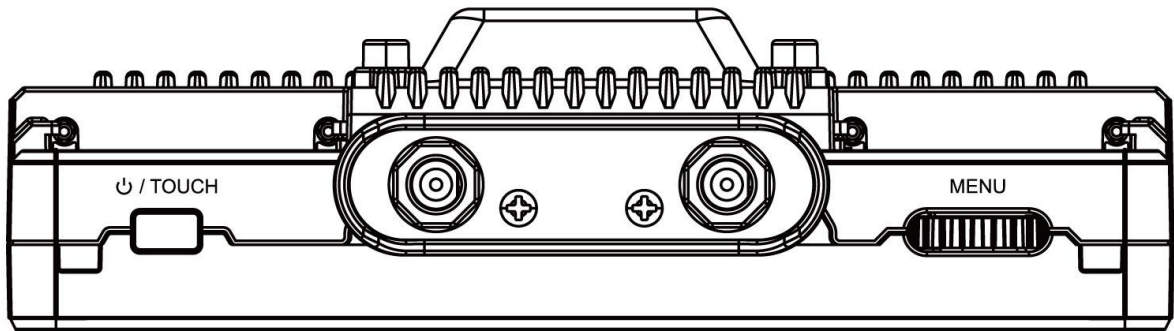
- Front Panel



- Back Panel



## 1.1 Button Instruction

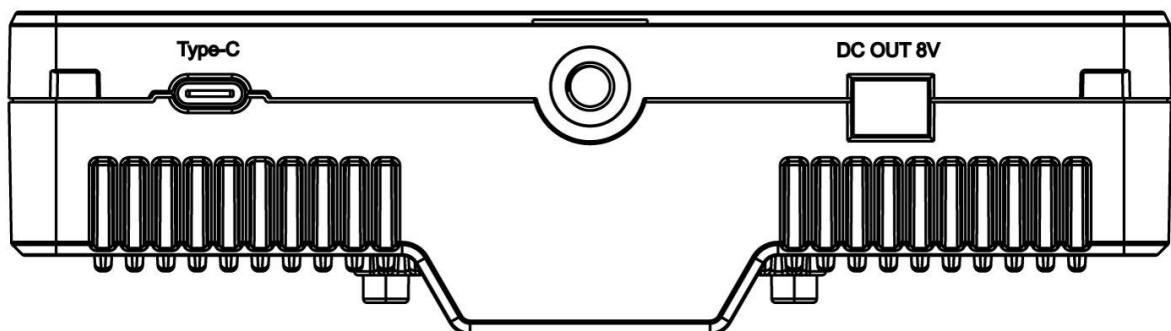


**⏻ / TOUCH** : Long press to turn on and off the power; short press to turn on and off the screen touch function

**MENU**: Long press to open the main menu and short press to open the shortcut menu. Rotate the wheel to select a menu item, press it again to open the corresponding menu function.

(See details: **2.Menu Operation Instruction**)

## 1.2 Port Instruction (Bottom)



**Type-C**: For 3DLUT upload via type-c to USB and for firmware upgrade

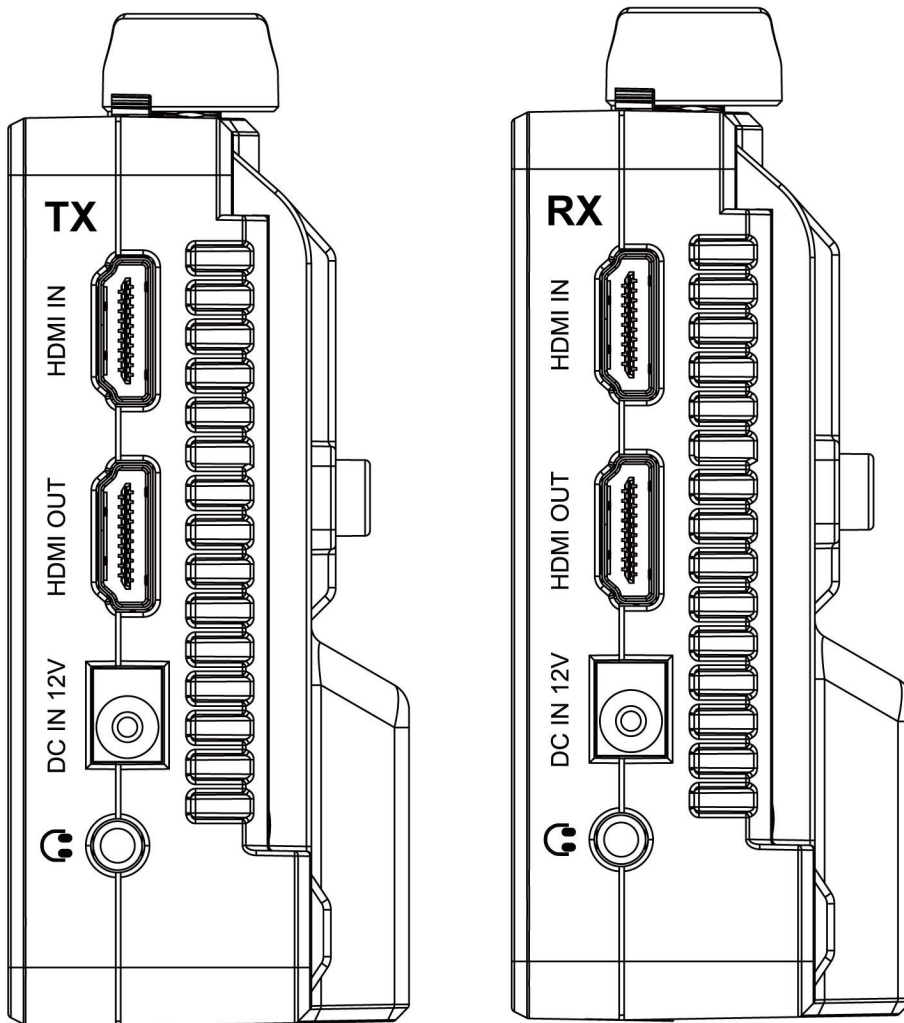
**DC OUT 8V**: DC power output interface, polarity as the output power





Barrel output for powering your camera with a separately available DC coupler via adaptor (NP-FW50 Sony & LP-E6 Canon&DMW-BLF19 Panasonic). More adapters coming soon.

### 1.3 Port Instruction (Right)



**TX:** Transmitter

**RX:** Receiver

**HDMI IN:** 1.4, HDMI signal input

**HDMI OUT:** 1.4, HDMI signal output

**DC IN 12V:** DC power input, polarity as the input power 

: 3.5mm earphone port output

## 1.4 Power Supply Way

(1) The rear cover of the monitor is equipped with F970 dual battery plates, which is applicable to F970 series of batteries.

- **Sony F970 battery plate for battery of Sony DV:**

Sony F970 F960 F950 F930 F770 F750 F730 F570 F550 F530

QM91D QM91 QM90D QM90 QM71D QM71 QM70D QM70 QM51D

QM51 FM71 FM70 series

- **Battery switching instruction**

When the two battery plates are installed with batteries, the upper right corner of the monitor will display the battery level. White indicates the using battery, gray indicates non using battery. Double-click the battery icon, after about 3 seconds switch to another battery.

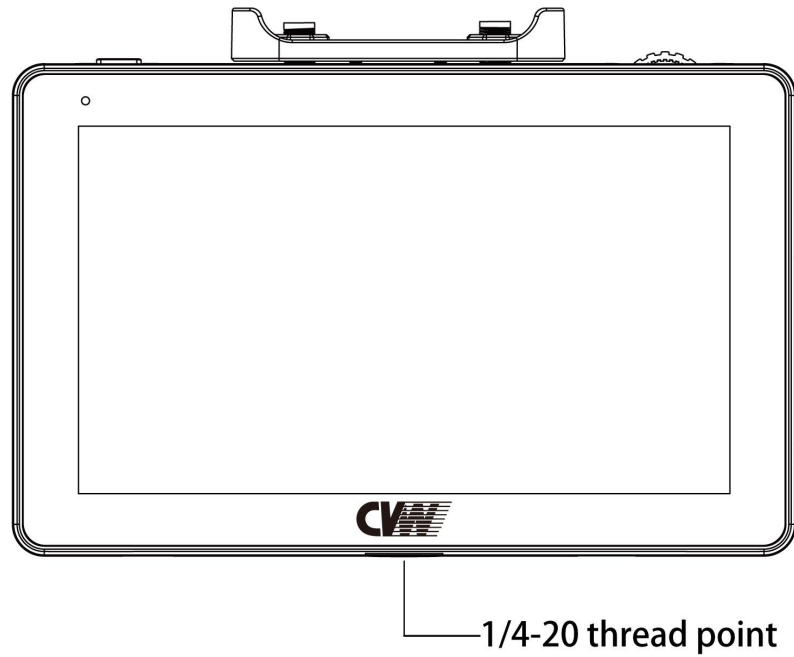
(2) Barrel (5.5mm outer, 2.1mm inner) at the bottom of the monitor, DC 7~24V Input.

**Remark: Different specifications of the battery have different capability. The working time for the monitor will be different.**

**Higher capability (working time) will be longer. Please take off the battery from the monitor if you don't use the monitor in a long time.**

## 1.5 Mount Point

There is a 1/4-20 thread point on bottom can be easily connected to the hot shoe mount, tripod fixed installation.



## 1.6 Sunshade



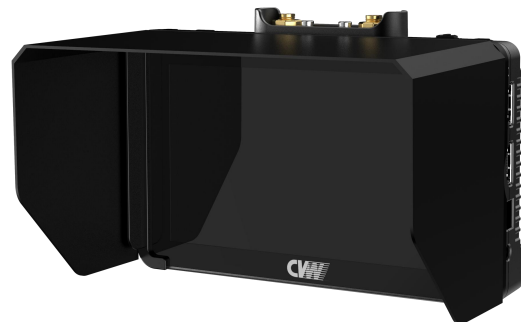
① Sunshade



② Sunshade Frame



③ Fixed Frame





④ Sunshade Application


First lock the Sunshade Frame ② with the monitor tight ③.

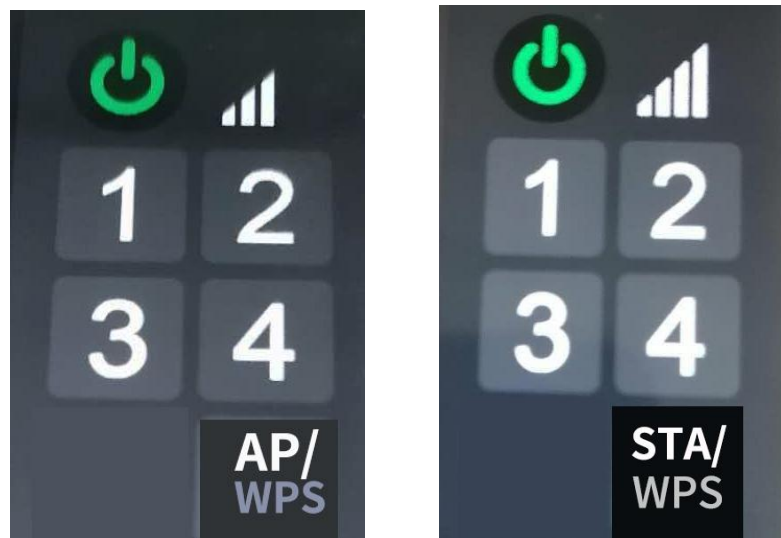
Open the sunshade ①, and match the sticker on the sunshade inside to the marked part of the sunshade frame ②, smooth and press 3 sides on the sunshade, and then complete the sunshade installation ④.

## 2. Menu Operation Instruction

After the monitor is properly connected to the power supply, the indicator light is on (red). Press  / TOUCH button to turn on the monitor power. The indicator light turns yellow. After inputting the HDMI signal, the indicator light turns from yellow to green.

After startup, short press  / TOUCH to select to turn the screen touch function on or off.


After the transmitter input the HDMI signal, the receiver will receive the signal from the transmitter, will display simultaneously for both monitors. Swipe the right side of the screen to display the transmission function including switch, signal, 4 channels and WPS pairing. Long press  until it turns red to close the wireless video transmission function.



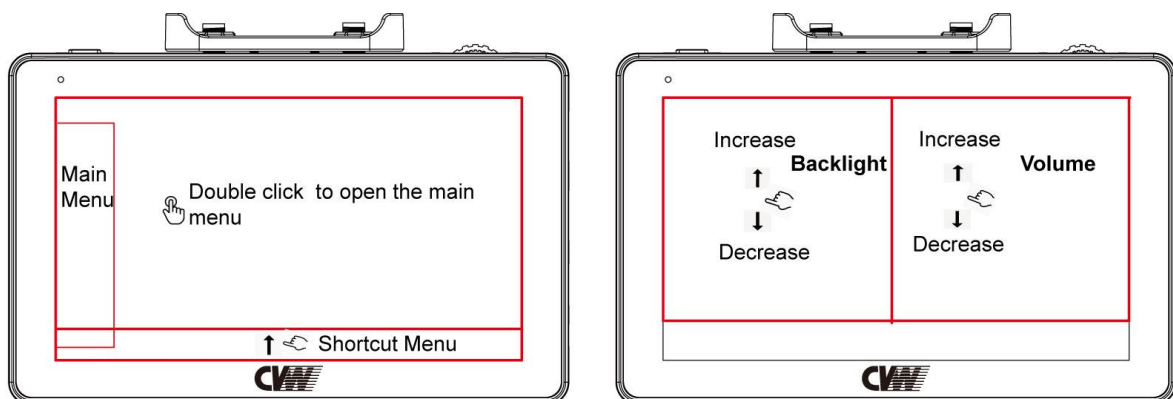
TX

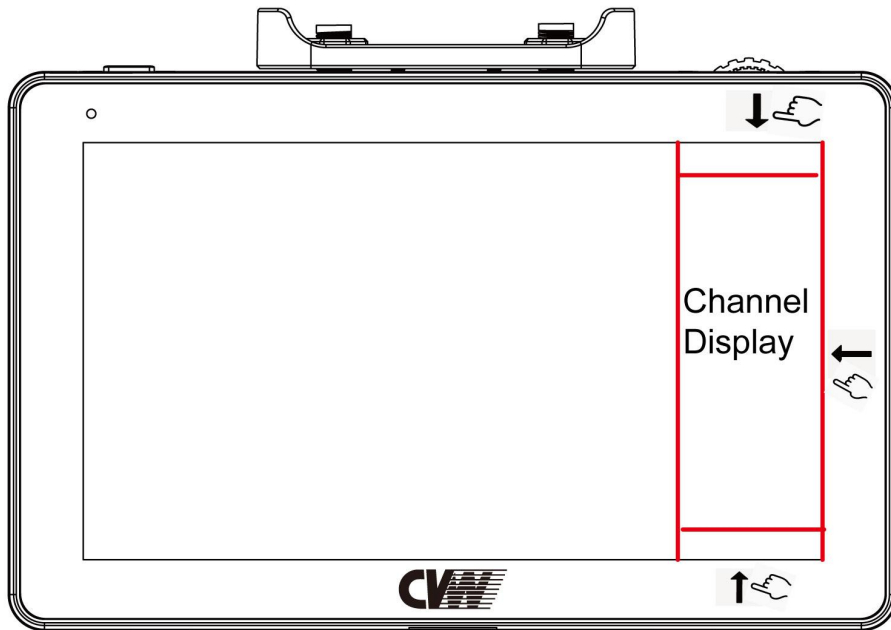
RX

**(1). Directly touch the screen for menu operation (turn on the screen touch function)**


- ①. Double-click on the screen to open the main menu (on the left side of the screen) and click on the corresponding menu to display the secondary menu. You can enter the corresponding function option to select or set with the "<" or ">" key of the option. Exit the menu and press  key of the main menu or click the touch screen.
- ②. Swipe up from the bottom of the screen to open the shortcut menu and click on the corresponding menu to open or set the corresponding function. Double-click the shortcut menu function and select the function setting with the "<" or ">" key.
- ③. On the left side of the screen (1/2 split screen), you can directly adjust the brightness of the screen backlight; on the right side of the screen (1/2 split screen), you can directly adjust the volume.
- ④. Swipe the right side (upper, lower, middle) of the screen to open the transmitting channel (TX), receiving channel (RX) and WPS pair. There are 4 channels for selection. Tap anywhere on the screen to exit the channel display

**Figure:**





## (2) Menu Operation of MENU Wheel

- ①. When the menu is not displayed, directly rotate the wheel to backlight or brightness adjustment. The wheel option can be set to backlight or brightness in the menu .
- ②. Long press the MENU wheel to open the main menu (on the left side of the screen). Rotate the wheel to select the secondary function menu. After selecting it, press the wheel, then rotate the wheel to select or set the option function.
- ③. Short press the MENU wheel to open the shortcut menu (below the screen), rotate the wheel to select the shortcut menu option, press the wheel to directly turn on/off the function, if you press the parameter selection, repeat the above operation. The shortcut menu will automatically exit after about 5 seconds without operation.

### 3. Menu Function Instruction



<b>All Waves</b>	OFF, ON
<b>Parada</b>	OFF, RGB, YUV, Y
<b>Vector</b>	OFF, ON
<b>Histogram</b>	OFF, ON
<b>Focus Assist</b>	OFF, ON The focus level and focus color items are displayed after the focus assist is turned on.
<b>Focus Level</b>	1~10
<b>Focus Color</b>	yellow, red, green, blue, white
<b>Audio Meter</b>	OFF, ON
<b>Zebra</b>	OFF, ON The zebra value item is displayed only after the zebra is turned on.
<b>Zebra Value</b>	1%~100%
<b>Monochrome</b>	OFF, gray, red, green, blue
<b>False Color</b>	OFF, type 1, type2
<b>Return</b> ←	Please use the scroll wheel to return to the previous menu or click on the main menu directly



<b>Nine Grid</b>	OFF, ON
<b>Safety Marker</b>	OFF, 70%, 80%, 90%, 16:9, 16:10, 4:3, 5:4, 1.85:1, 2.35:1
<b>Center Marker</b>	OFF, ON
<b>Marker Mat</b>	OFF, 16:9, 16:10, 4:3, 1.85:1, 2.35:1 The Marker Mat Alpha item is displayed after the Marker Mat is turned on.
<b>Marker Mat Alpha</b>	0%, 25%, 50%, 75%
<b>Marker Color</b>	yellow, red, green, blue, white, black
<b>Return</b> ←	Please use the scroll wheel to return to the previous menu or click on the main menu directly



<b>Scan Mode</b>	Under Scan, Over Scan
<b>Video Aspect</b>	auto, 16:9, 16:10, 4:3, 5:4, 1.85:1, 2.35:1, stretch, user Under the <b>user</b> , you can customize the Video Width (100% ~ 200%), Video Height (100% ~ 200%)
<b>Anamorphic Mode</b>	OFF, 1.25x, 1.33x, 1.5x, 2.0x, 2.0x mag
<b>Auto Mirror</b>	OFF, ON
<b>Flip H</b>	OFF, ON
<b>Flip V</b>	OFF, ON
<b>Zoom Times</b>	OFF, 100% ~ 300%
<b>Freeze</b>	OFF, ON
<b>Pixel to Pixel</b>	OFF, ON
<b>Return</b> ←	Please use the scroll wheel to return to the previous menu or click on the main menu directly





<b>HDR</b>	OFF, HLG 2020, HLG 709, HLG P3
<b>Lut Switch</b>	OFF, ON The Lut item is displayed after the Lut Switch is turned on.
<b>Lut</b>	SLOG2, SLOG3, LOGC, VLOG
<b>Lut Import (Type-C)</b>	After copying the 3D LUT file to the U disk and inserting it into the Type-C to USB connector, you can click the “<” or “>” key in the Lut Import(Type C) to import the 3D LUT file or rotate the wheel to import the 3D LUT file(up to 50 Luts).
<b>Colortemp</b>	5600K, 6500K, 9300K, user Under the “user” item, the red, green, and blue values of the image can be adjusted.
<b>Backlight</b>	1~100
<b>Brightness</b>	0~100
<b>Contrast</b>	0~100
<b>Saturation</b>	0~100
<b>Hue</b>	0~100
<b>Sharpness</b>	0~100
<b>Return</b> ←	Please use the scroll wheel to return to the previous menu or click on the main menu directly



<p><b>Wheel</b></p>	<p>Backlight, Volume</p> <p>After selecting the wheel option, you can click the “&lt;” or “&gt;” button in the wheel option, or rotate the wheel to select one of the shortcut keys to set it to the rotary wheel adjustment (when the menu is not displayed).</p>
<p><b>Language</b></p>	<p>中文, English, 日本語, Deutsch, Français, Italiano, Español, 한국, Русский</p>
<p><b>Transparency</b></p>	<p>OFF, low, middle, high</p>
<p><b>OSD Time</b></p>	<p>5s, 10s, 15s, 20s, 25s, always</p>
<p><b>Touch</b></p>	<p>OFF, ON</p> <p>Please short press the TOUCH button to turn on the touch function again after choosing turn off</p>
<p><b>Volume</b></p>	<p>0~100</p>
<p><b>Mute</b></p>	<p>OFF, ON</p>
<p><b>Reset</b></p>	<p>OFF, ON</p> <p>After selecting the reset option, you can click the “&lt;” or “&gt;” key in the reset option or rotate the wheel to restore the factory settings.</p>
<p><b>Firmware Update</b></p>	<p>After copying the update file to the U disk and inserting it into Type-C to USB connector, and then connect to the Type-C interface of the monitor, you can click the “&lt;” or “&gt;” key in the firmware update option or rotate the wheel to update.</p>
<p><b>Return</b> ←</p>	<p>Please use the scroll wheel to return to the previous menu or click on the main menu directly</p>



	Exit the menu
---	---------------

#### 4. Technical Parameters

<b>Panel Size</b>	5.5" touch screen
<b>Resolution</b>	1920 × 1080 pixels
<b>Frequency</b>	5.1~5.9(GHz)
<b>Audio Format</b>	PCM
<b>System Latency</b>	70ms
<b>Video Compression Format</b>	H.264
<b>Transmission</b>	250m/800ft (open environment)
<b>Antenna Mode</b>	2dBi x 2
<b>Dot Pitch</b>	0.0639 (H) × 0.0213 (W) mm
<b>Pixel Density</b>	400PPI
<b>Aspect Ratio</b>	16:9
<b>Brightness</b>	500cd/m <sup>2</sup>
<b>Contrast</b>	1000:1
<b>Viewing Angle</b>	80°/80°(L/R) 80°/80°(U/D)
<b>Backlight</b>	LED
<b>Adjustable Backlight</b>	Yes
<b>Input</b>	HDMI V1.4
<b>Output</b>	HDMI V1.4, 3.5mm stereo headphone jack
<b>Power In</b>	DC IN 12V, Barrel (5.5mm outer, 2.1mm inner)

<b>Power Out</b>	DC OUT 8V, Barrel (5.5mm outer, 2.1mm inner; Power DSLR or mirrorless camera)
<b>HDMI Input/ Output Support Format</b>	Wireless Transmission Opening 480P,576I,576P,720P60/59.94/50,1080I50/59.94/60 1080p23.98/24/25/29.97/30/50/59.97/60  Wireless Transmission Closing 480P,576I,576P,720P60/59.94/50,1080I50/59.94/60 1080p23.98/24/25/29.97/30/50/59.97/60 4K UHD 3840×2160p (30/29.97/25/24/23.98Hz) DCI 4K 4096×2160p (24Hz)
<b>Power Input Voltage</b>	7~24V
<b>Power Consumption</b>	≦ 18W
<b>Unit Size (mm)</b>	148Lx93Hx20W (mm)
<b>Unit Weight</b>	370g (TX) , 370g (RX)
<b>Mount Point</b>	one ¼-20 thread point on bottom
<b>Working Temperature</b>	-20℃ ~55℃
<b>Storage Temperature</b>	-30℃ ~65℃

## **5. Trouble Shooting**

### **5.1 Only black and white or monochrome image:**

- ① please check saturation, brightness & contrast adjustment.
- ② Please check "Monochrome" is in black, white or monochrome image or other condition.

### **5.2 NO Image after power on**

- ① Check if signal cable connecting is in good condition.
- ② Check signal cable connecting, and make sure to use the standard adapter to connect the monitor. If power is supplied by battery, please check if the battery is fully charged.

### **5.3 No sound**

Please confirm whether the volume control is turned on, and adjust the volume.

- If there are still other problems, please contact with our related technologists.
- ★ As we are improving product features and product performance, so if there is any change on the specification without prior notice.