

LEFT SIDE PD HANDLE <<< PD供电录制手柄 >>> *TILTA*

**PD HANDLE**

TILTA LEFT SIDE PD HANDLE WITH RUN/STOP TYPE VIII

Thank you for choosing Tilta products.

Please read this user guide carefully before using the product to ensure the correct product settings have been applied. The final interpretation right of this article and the products belong to Tilta . We reserve the right to update without prior notice. Please visit [www.tilta.com](http://www.tilta.com) for the latest product information.

Once you use this product, it is deemed that you have carefully read the disclaimer and warning, and understand, recognize and accept all terms and contents of this statement. You assume full responsibility for the use of this product and the possible consequences. You agree to use this product only for legitimate purposes and also agree to these terms and any relevant regulations, policies and guidelines formulated by Tilta.

Tilta is not responsible for damages, injuries and any legal liability arising directly or indirectly from the use of this product. Users should follow all safety guidelines including but not limited to those mentioned in this article.

Even if the above provisions exist, consumer rights are still protected by local laws and regulations and are not affected by this disclaimer.

Tilta is a registered trademark that belongs to Tilta technology Co., Ltd and its subsidiary company. All product and brand names that are mentioned in this content belong to Tilta technology Co., Ltd and its subsidiary company.

Heat generation, spontaneous combustion, explosion, etc., may occur due to improper operation while using this product. Otherwise, performance degradation and failure may occur, so please observe the following prohibitions and precautions.

- This product charges digital cameras, notebooks, and mobile phones, and is suitable for various application scenarios. Consult our company if you need to use it for other devices.
- Do not try to short-circuit the product.
- Do not transport or store it along with metallic objects.
- When carrying the battery onto a plane, do not place it near a conductive liquid. Do not throw the battery into water, fire, or heat.
- Do not place the battery in a high-temperature area, such as in a car or under the hot sun, and do not charge, discharge, or store it in an environment exceeding the operating temperature range (see "Battery Usage Instructions").
- Do not disassemble or modify the battery.
- Do not drop the battery or hit it with a hammer to avoid any substantial impact. Also, stop using the battery if the damage is evident.
- Do not use the battery in a corrosive environment (salt, seawater, acid, alkali, corrosive gas, etc.).
- Do not use and store the battery in extremely high-humidity environments.

## [PRECAUTIONS]

- (1) If the battery cannot be fully charged within the specified charging time, please stop charging immediately.
- (2) When charging or discharging, please stop charging immediately if the battery has an abnormal smell, heat, discoloration, deformation, and other symptoms that are different from the normal state.
- (3) When the battery leaks or smells, please keep the battery away from fire.
- (4) Before using it for the first time after purchase, remember to fully charge it before using it.
- (5) When not used for more than two days, the battery will automatically turn off the output. Before using it again, you need to press the power button before it can be used or charged again.
- (6) For long-term storage, please charge the battery regularly (about once every two months) to keep the battery's power at the state where the green light is on.

This product has been strictly inspected before leaving the factory. If there is any problem, please get in touch with the company's after-sales service. Refrain from disassembling by yourself.



## SPECIFICATIONS

- MATERIAL: Aluminum
- DIMENSIONS: 117X93X71mm
- WEIGHT: 502.5g
- COLOR: Black

## PACKING LIST



Tilta Left Side PD Handle X1



Left Side Wrist Strap X1



USB-C To USB-C Cable (60W) X1

## BATTERY USAGE NOTES

BATTERY CAPACITY  
14.4V 50Wh 3500mAh

- (1) Working temperature : 0°C ~ 45°C for charging ; -20°C ~ 60°C for discharging
- (2) Storage temperature : -20°C ~ 45°C
- (3) Operating humidity : 90-95%(Max.)
- (4) Relative storage humidity : ≤ 70%RH
- (5) Warranty : 12months AND with less than 200 full usage cycles.

## PRODUCT HIGHLIGHTS



## PD Fast Charging

(If the camera supports PD protocols, the camera can be powered through the USB-C to USB-C cable. The camera can also be powered through the dummy batteries.)

Dummy Battery Cables : Canon LP-E6 Dummy Battery to USB-C PD Power Cable DB-LPE6-USBC  
 [Optional] Sony NP-FZ100 Dummy Battery to USB-C PD Power Cable DB-SYFZ-USBC  
 Panasonic DMW-BLF19 Dummy Battery to USB-C PD Power Cable DB-GH-USBC



## Flexible Adjustment

(Press the release to adjust the angle)



## Ergonomic Design

(Comfortable operation)



## Cold Shoe Mount

(For mounting accessories with a cold shoe mount)



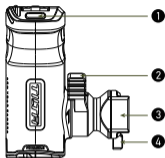
## 1/4"-20 Screw with Locating Points

(For mounting accessories with 1/4"-20 screw with locating pins)

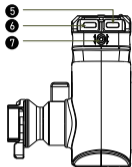


## Run/Stop

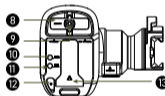
(Pair with the appropriate R/S cable to control the camera's run/stop)



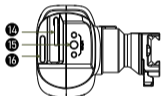
[FRONT]



[BACK]



[TOP]



[BOTTOM]

- 1 Power/Rec Button (On/Off : Hold for 2s) (Rec : Single click while the camera is on.)
- 2 Safety Release (Press to adjust handle's angle.)
- 3 NATO Mount Attachment (Other attachments available)
- 4 Tie Down
- 5 USB-C Port
- 6 USB-C PD Port
- 7 M3 Screw (For adjusting the height of the USB-C cable clamp.)
- 8 Cable Clamp for USB-C Cable
- 9 M3 Screw (For holding the USB-C cable.)
- 10 USB-C Signal Indicator
- 11 USB-C PD Battery Indicator
- 12 Wrist Strap Port
- 13 Cold Shoe Mount
- 14 Hex Key (For adjusting the M3 screw. Can be attached to the bottom of the handle.)
- 15 1/4"-20 Screw with Locating Points
- 16 Wrist Strap Port

## USB-C Usage Notice [Do not short circuit through the USB-C Output.]



### USB-C PD

Support PD 3.0 and PD 2.0 I/O fast charging protocol.



### USB-C

Tilta Series Product



### USB-C OUTPUT VOLTAGE

12.0V~16.8V (Max 1.5A)

The USB-C port is compatible with Tilta R/S cables.

Canon R5/R5C and BMCC 4K /6K/6K PRO support Type-C input. No additional purchase needed.

RS-TA3-AM3	Advanced Side Handle Run/Stop Cable for 3-Pin Fischer port
RS-TA3-AM7	Advanced Side Handle Run/Stop Cable for Arri 7-Pin EXT port
RS-TA3-SY	Advanced Side Handle Run/Stop Cable for 4-Pin Hirose port
RS-TA3-KF	Advanced Side Handle Run/Stop Cable for Keyefinity Cameras
RS-TA3-LANC	Advanced Side Handle Run/Stop Cable for 2.5mm LANC Port
RS-TA3-GHS	Advanced Side Handle Run/Stop Cable for Panasonic GH/S Series
RS-TA3-RD3	Advanced Side Handle Run/Stop Cable for Red Camera SYNC Port Type II
RS-TA3-RD1	Advanced Side Handle Run/Stop Cable for Red Camera SYNC Port Type I
RS-TA3-SYA	Advanced Side Handle Run/Stop Cable for Sony a6/a7/a9 Series
RS-TA3-RD2	Advanced Side Handle Run/Stop Cable for Red Camera CTRL Port
RS-TA3-FXJ	Advanced Side Handle Run/Stop Cable for Fujifilm X Series
RS-TA3-RD4	Advanced Side Handle Run/Stop Cable for Red Komodo Camera
RS-TA3-CND	Advanced Side Handle Run/Stop Cable for Canon DSLR
RS-TA3-CNC	Advanced Side Handle Run/Stop Cable for Canon C series
RS-TA3-USBC	Advanced Side Handle Run/Stop Cable for USB-C Port

## INDICATORS

### USB-C PD Battery Indicators

#### (1) Discharging Signal

- 1 Red light flashes :
- 2 Red light stays on :
- 3 Green light stays on :
- 4 Blue light stays on :

#### (2) Charging Signal

[It takes approximately 2 hours to fully charge with a 60W PD fast charger.]

- 1 Blue light flashes : charging
- 2 Blue light stays on : fully charged

### USB-C Communication Indicators (When a Tilta cable is detected, the indicator will light up.)

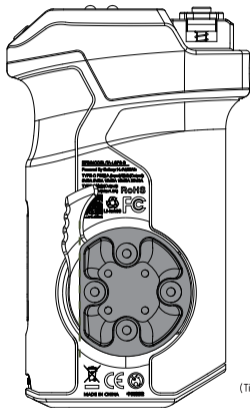
- 1 Green light stays on : Standby
- 2 Red light stays on : Record

#### (3) Firmware Upgrade (When needed)

Download and upgrade the firmware from the Tilta official website and complete the installation. If you have any installation questions, please consult the official customer service of Tilta. (Tilta official website: [www.tilta.com](http://www.tilta.com))

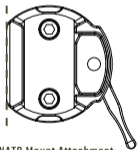
#### [INSTALLATION:]

- (01) Power on, after the blue light is on (non-charging state), press the [on/off] button five times in a row;
- (02) Wait for the battery indicator to show the flashing state of the three-color light , and enter the firmware upgrade mode;
- (03) Connect the USB-C PD interface of the handle to the computer through the USB Type-A to USB-C data cable, and copy the upgraded firmware to the handle program;
- (04) After the three-color light stops flashing, the upgrade is complete, and the blue light flashes.



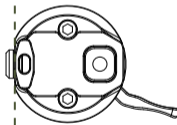
Please choose the side handle attachment according to your setup. To find the appropriate mount for your setup, please contact Tilta's customer support.

NOTE: Install the attachment according to its mounting port.



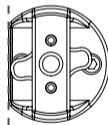
**NATO Mount Attachment**  
(Tilta Advanced Left Side Handle Attachment Type VIII)  
(For NATO rail)

STANDARD



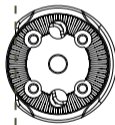
**DJI Ronin 4D Attachment**  
(Advanced Left Side Handle Attachment Type IX)  
(For DJI High-Bright Remote Monitor)

OPTION - A



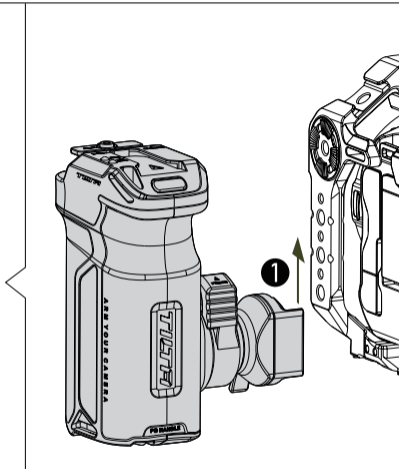
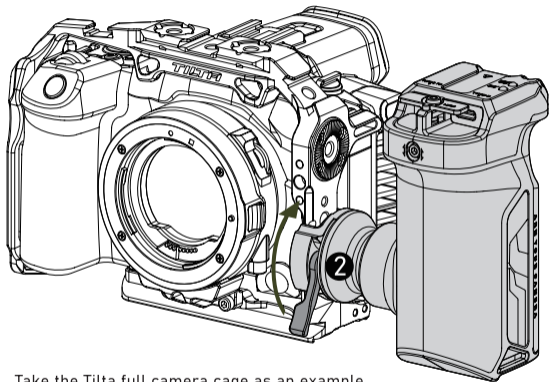
**1/4"-20 Screw with Locating Pins Attachment**  
(Tilta Advanced Side Handle Attachment Type XI)  
(For 1/4"-20 Screw with locating points)

OPTION - B



**ARRI Rosette Mount Attachment**  
(Tilta Advanced Side Handle Attachment Type X)  
(For Arri standard rosette)

OPTION - C



Take the Tilta full camera cage as an example.  
Slide ① the NATO attachment for left side PD handle onto the NATO rail.  
Tighten ② the tie down.

