

# ATEM Television Studio 4K8



£3,909

ATEM Television Studio 4K8 is a powerful Ultra HD live production switcher with a built in broadcast control panel. Get a fully featured broadcast quality live production studio with 8 12G-SDI inputs, 10 12G-SDI aux outputs for external recorders, 4 port 10G Ethernet switch, built in streaming, master recorder, multiview, USB webcam support, 2 DVEs, SuperSource, 4 ATEM Advanced Chroma Keyers, 2 media players, talkback and more!

## Connections

### SDI Video Inputs

8

### SDI Video Outputs

12

### SDI Rates

1.5G, 3G, 6G, 12G

### HDMI Video Outputs

1

### Total Audio Inputs

2 x XLR balanced analog audio,  
1 x BNC 32 Ch MADi digital audio,  
2 x RCA stereo analog audio,  
1 x 5 pin XLR Talkback.

### Total Audio Outputs

4 x 1/4 inch Jack analog audio,  
1 x BNC 64 Ch MADi digital audio, up  
to 50 active,  
1 x 5 pin XLR Talkback.

### SDI Audio Inputs

4 Ch embedded audio on all SDI  
inputs.

### SDI Audio Outputs

16 assignable channels.

### Timecode Connections

1 x BNC In, 1 x BNC Out.

### Reference Input

1 x BNC In, 1 x BNC Out.  
Tri-Sync or Black Burst.

### Video Input Re-Sync

On all 8 inputs.

### Frame Rate and Format Converters

On all 8 inputs.

### SDI Aux Outputs

10

### SDI Program Outputs

1

### Webcam Output

2 x USB-C supporting 720p or 1080p  
at PGM frame rate.

### Total Multi Views

1 x 12G-SDI  
1 x HDMI 2.0

### Remote

RJ12 supports RS-422

### Control Panel Connection

Ethernet. Direct connection between  
panel and chassis, or via network.

### Internal Timecode Generator

Yes

### Talkback

RJ45 for 3rd party talkback systems.

### Tally Output

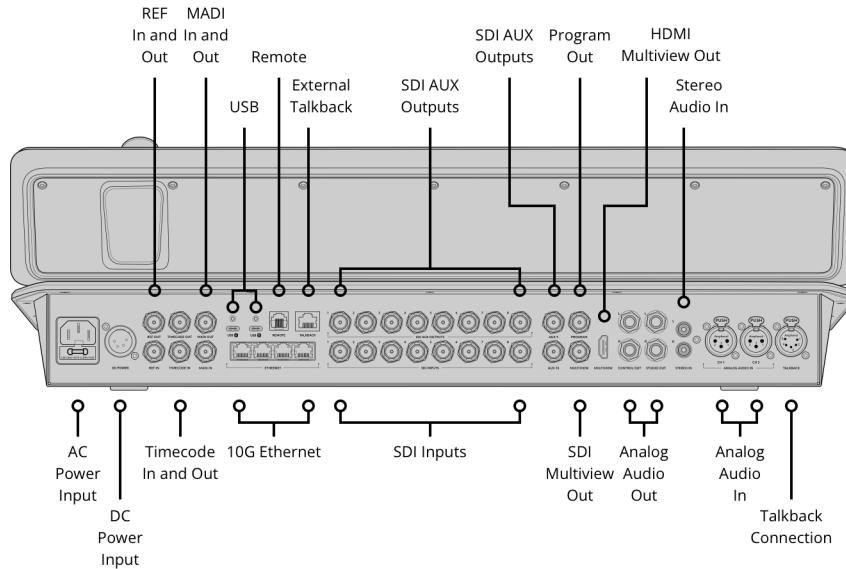
Added via ethernet connection to  
Blackmagic Design GPI and Tally  
Interface product. (Not included).

### Ethernet

4 x RJ45 with internet network switch.  
Supports 10/100/1000/10G BASE-T.

### Computer Interface

2 x USB-C supports USB 2.0 for  
external drive recording, webcam  
out, software control, software  
updates and switcher connection.



## Standards

### SD Video Standards

None

### HD Video Input Standards

720p50, 720p59.94, 720p60  
 1080i50, 1080i59.94, 1080i60  
 1080p23.98, 1080p24, 1080p25,  
 1080p29.97, 1080p30, 1080p50,  
 1080p59.94, 1080p60

### Ultra HD Video Input Standards

2160p23.98, 2160p24, 2160p25,  
 2160p29.97  
 2160p30, 2160p50, 2160p59.94,  
 2160p60

### SDI Compliance

SMPTE 292M, SMPTE 296M,  
 SMPTE 424M, SMPTE 425M level A  
 and B, SMPTE 2081-1,  
 SMPTE 2081-10, SMPTE 2082-1  
 and SMPTE 2082-10.

### Video Sampling

4:2:2

### Color Precision

10-bit.

### Color Space

REC 709, REC 2020

### SDI Auto Switching

Automatically detects between 1.5G-  
 SDI, level A or level B 3G-SDI, 6G-SDI  
 and 12G-SDI.

## Product Specifics

### Number of Mix Effects Rows

1

### Preview Transition

1

### Key Buttons

8

### Direct Cross Points

10

### Source Select Bus

1

### AUX Buttons

12

### Shifted Cross Points

20

### Dedicated Macro Buttons

10 plus shift 10

### Fader Bar

1

### Crosspoint Button Type

Tri-Color LED

### Transition Type Buttons

5

### Record Buttons

2

### Crosspoint Label

6 rows 24 character LCD

### Transition Rate

Set via system LCD menu display

### Stream Buttons

2

<b>DSK Transition Selectors</b> 6	<b>Advanced Chroma Keyers</b> 4	<b>Color Generators</b> 2
<b>Fade to Black Buttons</b> 1	<b>SuperSource</b> 1	<b>Control Panel</b> Integrated panel with full control of switching and settings.
<b>System LCD Displays</b> 1	<b>DVEs</b> 2	<b>Routable Windows</b> 16
<b>Numeric Keypad</b> 1	<b>Linear/Luma Keyers</b> 7	<b>Windows Source Labels</b> Yes
<b>3 Axis Joystick</b> 1	<b>Transition Keyer (Stinger/DVE)</b> 1 Stinger, 1 DVE.	<b>Tally</b> Red for program and green for preview indication.
<b>Upstream Keyers</b> 4	<b>Total Number of Layers</b> 8	<b>Talkback Support</b> Yes
<b>Downstream Keyers</b> 2	<b>Pattern Generators</b> 7	<b>Mix Minus Support</b> Yes

---

## Streaming

### Direct Streaming

Supports direct live streaming using Real Time Messaging Protocol (RTMP) over ethernet or a shared internet connection over USB-C.

---

## Recording

### Direct Recording Video and Audio

Direct recording to optional internal M.2 flash memory or to external media via USB-C expansion ports.

### Video Recording

Program recorded as a H.264 .mp4 file at the streaming quality setting and at the ATEM video standard with AAC audio.

### Media Format

Supports media formatted ExFAT (Windows/Mac). APFS or HFS+ (Mac).

---

## Multi View Monitoring

### Multi View Monitoring

1 x multi view via SDI and HDMI configurable to 16, 13, 10, 7 or 4 up views. Includes monitoring of Program, Preview, Inputs, Media Players, DSKs, SuperSource, Clean Feed with optional labels and audio meters.

### Multi View Video Standard

HD or Ultra HD

### Display Minimum Resolution

1366 x 768

---

## Media Player

### Media Players

2

### Channels

Fill and key for each media player.

### Media Pool Still Image Capacity

20

### Media Pool Still Image Format

PNG, TGA, BMP, GIF, JPEG and TIFF.

### Media Pool Clip Capacity

2 x up to 1080p60.

### Media Player Clip Length in 720 HD

720 frames.

### Media Player Clip Length in 1080 HD

360 frames.

### Media Player Clip Length in 2160 HD

90 frames.

---

### Media Pool Video File Format

TGA sequence.

### Media Pool Audio File Format

WAV, MP3 and AIFF.

## Processing

### Processing Delay

< 10 lines when genlocked and in the same format as the switcher.

### Audio Mixer

58 Channel mixer.  
Selectable On/Off/Audio-Follow-Video.  
Level and Peak metering.  
Master gain control.  
6 band parametric EQ, Dynamics including Expander, Gate, Compressor and Limiter.

### Camera Control

When used with most Blackmagic Design cameras, ATEM can control focus, iris and zoom of compatible lenses and camera settings including gain, white balance, tint, shutter, ND filter, color corrector, tally and record start/stop.

### Down Conversion

1 x multi view

---

## Software

### Control Panel Included

ATEM Software Control Panel included free for Mac 12.0 Monterey, Mac 13.0 Ventura or later, and Windows 10 or 11.

### Software Updates

Using USB or Ethernet connection directly connected to Mac OS or Windows computers. Includes ATEM Setup Utility.

---

## Operating Systems



Mac 12.0 Monterey,  
Mac 13.0 Ventura or later.



Windows 10 and 11.

---

## Power Requirements

### Power Supply

1 x Internal 100 - 240 AC 50/60Hz with IEC C14 socket.  
1 x 4 pin XLR 12V DC In for external power supply or battery use.

### Power Usage

TBA

---

## Physical Specifications



---

## Physical Installation

### Physical Installation

Desktop or in-desk mount.

---

## Environmental Specifications

### Operating Temperature

0° to 40° C (32° to 104° F)

### Storage Temperature

-20° to 60° C (-4° to 140° F)

### Relative Humidity

0% to 90% non-condensing

---

---

## What's Included

ATEM Television Studio 4K8

Welcome wallet with QR code for software download

---

## Warranty

12 Months Limited Manufacturer's Warranty.

All items on this website are copyright Blackmagic Design Pty. Ltd. 2023, all rights reserved.

All trademarks are property of their respective owners. MSRP excludes VAT and local shipping costs.

This website uses remarketing services to advertise on third party websites to previous visitors to our site.

You can opt out at any time by changing cookie settings. [Privacy Policy](#)

Blackmagic Design Authorized Reseller